

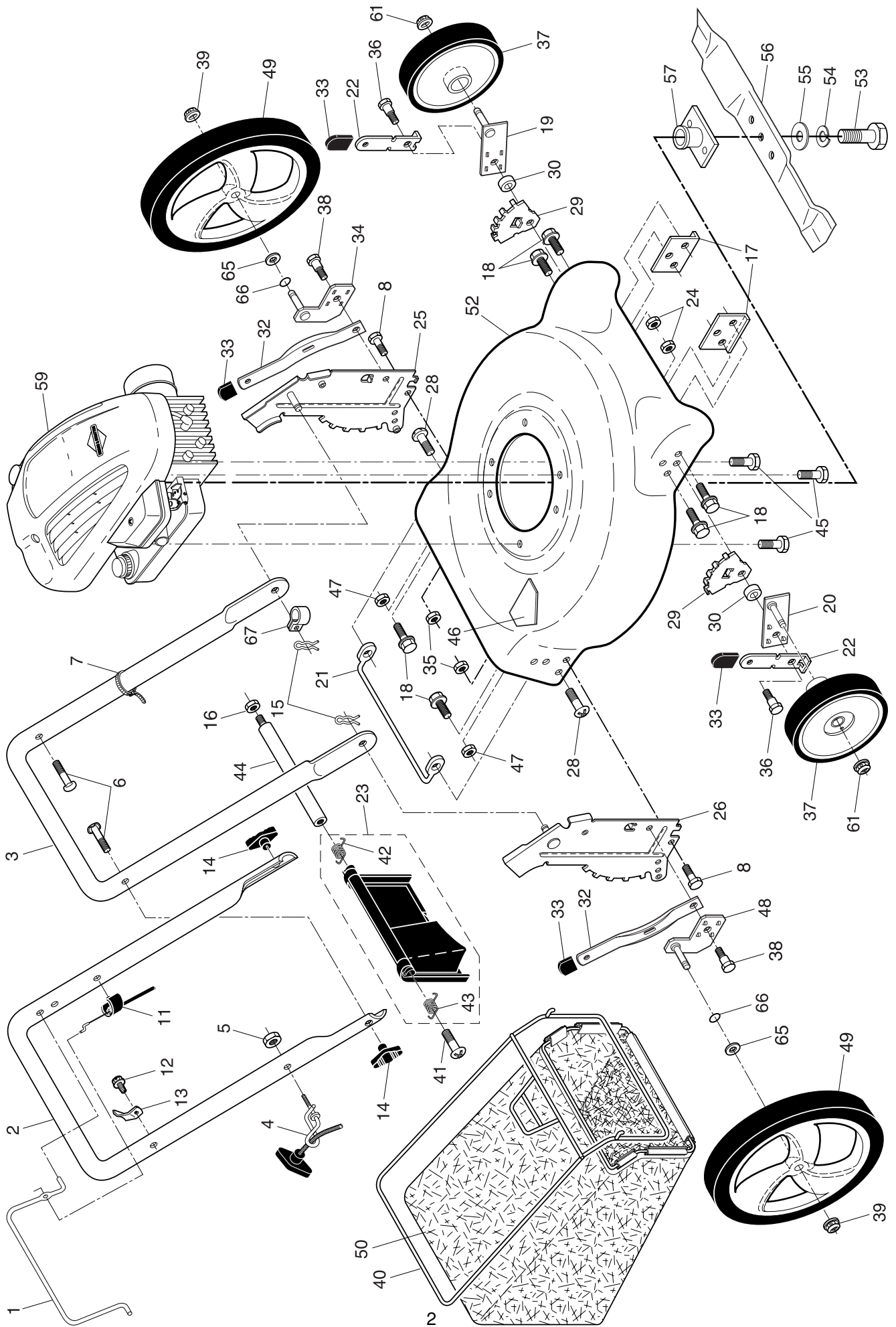
ILLUSTRATED PARTS LIST

MODEL NUMBER M4553CMHW

PRODUCT NUMBER 961 31 00-14

MFG. ID. NUMBER 96131001401

ROTARY LAWN MOWER - - MODEL NUMBER M4553CMHW (96131001401) PRODUCT NUMBER 961 31 00-14



ROTARY LAWN MOWER - - MODEL NUMBER M4553CMHW (96131001401) PRODUCT NUMBER 961 31 00-14

KEY NO.	PART NO.	DESCRIPTION	KEY NO.	PART NO.	DESCRIPTION
1	532 19 55-74	Control Bar	37	532 40 61-55	Wheel & Tire Assembly, Front 8 x 1-3/4
2	532 19 55-47	Upper Handle	38	532 16 43-62	Shoulder Bolt
3	532 17 42-91	Lower Handle	39	532 14 52-12	Nut, Hex, Flangelock
4	532 19 47-88	Rope Guide	40	532 19 46-42	Frame, Grassbag
5	532 13 20-04	Locknut, Hex 1/4-20	41	532 08 86-52	Hinge Screw
6	532 19 15-74	Handle Bolt	42	532 16 57-66	Spring, Rear Door, LH
7	532 06 64-26	Wire Tie	43	532 16 57-67	Spring, Rear Door, RH
8	874 78 05-12	Hex Bolt 5/16-18 x 3/4	44	532 18 58-19	Rod, Rear Door
11	532 17 65-56	Engine Zone Control Cable	45	532 15 04-06	Hex Head Thread Rolling Screw 3/8-16 x 1
12	532 75 06-34	Hex Washer Head Screw #10-24 x 1/2	46	532 18 21-66	Danger Decal
13	532 12 52-03	Up-Stop Bracket	47	873 75 11-53	Nut, Hex
14	532 19 19-38	Handle Knob	48	532 18 36-62	Axle Arm Assembly, Rear, RH
15	532 05 17-93	Hairpin Cotter	49	532 40 29-35	Wheel & Tire Assembly, Rear 12 x 1-3/4
16	532 19 17-30	Nut, Hex, Flangelock 1/4-20	50	532 40 20-24	Grassbag
17	532 17 41-12	Support Bracket	52	532 40 06-59	Kit, Lawn Mower Housing Assembly (Includes Key Numbers 17, 18 and 46)
18	817 60 04-06	Screw 1/4-20 x 3/8	53	532 85 10-84	Hex Head Screw 3/8-24 x 1-3/8 Grade 8
19	532 18 92-77	Axle Arm Assembly, Front, LH	54	532 85 02-63	Helical Lockwasher
20	532 18 92-78	Axle Arm Assembly, Front, RH	55	532 85 10-74	Hardened Washer
21	532 16 94-23	Footguard	56	532 19 93-77	21" Blade
22	532 16 85-99	Selector Spring, Front	57	532 19 38-25	Blade Adapter
23	532 18 66-12	Kit, Rear Door (Includes Springs)	59	---	Engine, Briggs & Stratton, Model Number 10G902 (Order parts from engine manufacturer)
24	873 93 05-00	Locknut, Hex 5/16-18	61	532 08 39-23	Nut, Hex, Flangelock
25	532 40 31-12	Handle Bracket Assembly, LH	65	532 08 83-48	Washer, Flat
26	532 40 31-13	Handle Bracket Assembly, RH	66	532 19 74-80	O-Ring
28	532 05 45-83	Screw	67	532 19 79-91	Clip, Cable
29	532 16 57-04	Wheel Adjusting Bracket, Front	--	532 18 21-91	Warning Decal (not shown)
30	532 18 39-01	Spacer	--	532 40 21-29	Operator's Manual, European
32	532 40 29-47	Spring, Selector, Rear	--	532 40 21-31	Operator's Manual, Scandinavian
33	532 08 78-77	Selector Knob	--	532 40 21-33	Operator's Manual, East Bloc
34	532 18 36-61	Axle Arm Assembly, Rear, LH	--	532 40 21-34	Operator's Manual, Baltic
35	532 16 67-85	Locknut, Hex 5/16-18			
36	532 16 08-28	Shoulder Bolt 5/16-18			

NOTE: All component dimensions given in U.S. inches. 1 inch = 25.4 mm. **IMPORTANT:** Use only Original Equipment Manufacturer (O.E.M.) replacement parts. Failure to do so could be hazardous, damage your lawn mower and void your warranty.